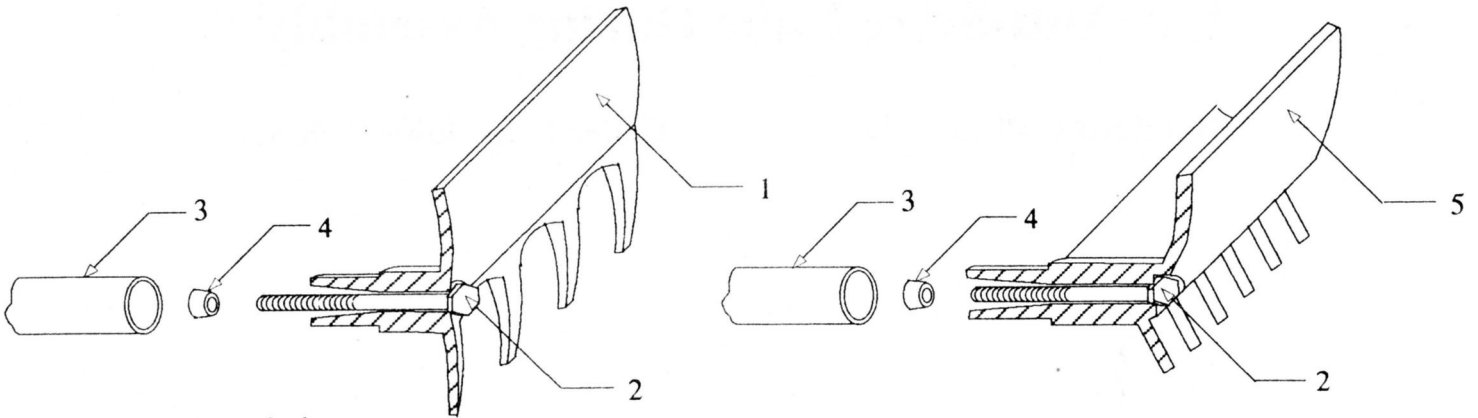


DUO-RAKE AND TOUR SMOOTH[®] ASSEMBLY INSTRUCTIONS 11500's - 11900's

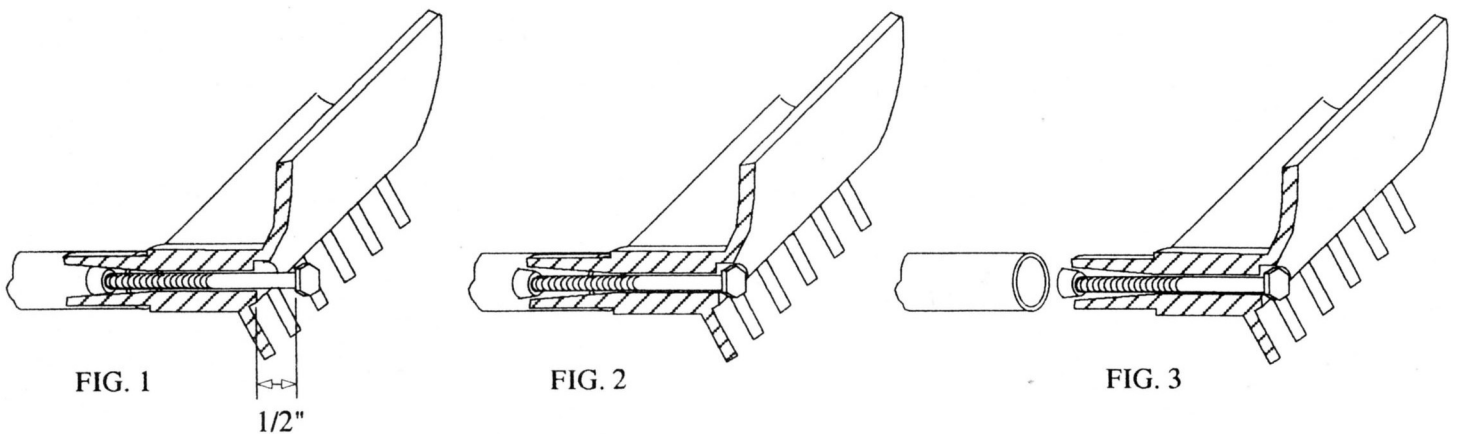


Key No.	Description	Part No.
1	Head-Duo Rake	11501
2	Bolt	11208
3	Handle-Plain Aluminum with Cap	11205
3	Handle-Yellow Aluminum with Cap	11515
3	Handle-Green Aluminum with Cap	11516
3	Handle-Tan Composite with Cap	11214
3	Handle-Yellow Composite with Cap	11215
3	Handle-Green Composite with Cap	11216
4	Cone	11204
5	15" Head-Tour Smooth [®] Rake	11901
Not Shown	Cap-Aluminum Handle	11206
Not Shown	Cap-Composite Handle	11207
Not Shown	22" Head-Tour Smooth [®] Rake	12201

Assembly Instructions:

- 1. To Prevent Seizing of the Bolt & Cone, Use Anti-Seize Lube During Assembly**
2. Insert bolt into rake head, threaded end to the handle side
3. Cone should be screwed finger tight inside rake head hub.
4. Place handle over hub until end of tube is against shoulder and tighten bolt against rake head until handle is tight. If using composite handle, sleeved end goes over hub.
5. Wet inside of cap with soap and water. Slip cap over handle.

DUO-RAKE AND TOUR SMOOTH[®] HEAD AND HANDLE REMOVAL



1. Unscrew bolt approximately 1/2" (Fig.1). Using hammer drive bolt back in, to release cone (Fig. 2).
2. Handle should now separate from head (Fig. 3). Finish unscrewing cone from bolt.