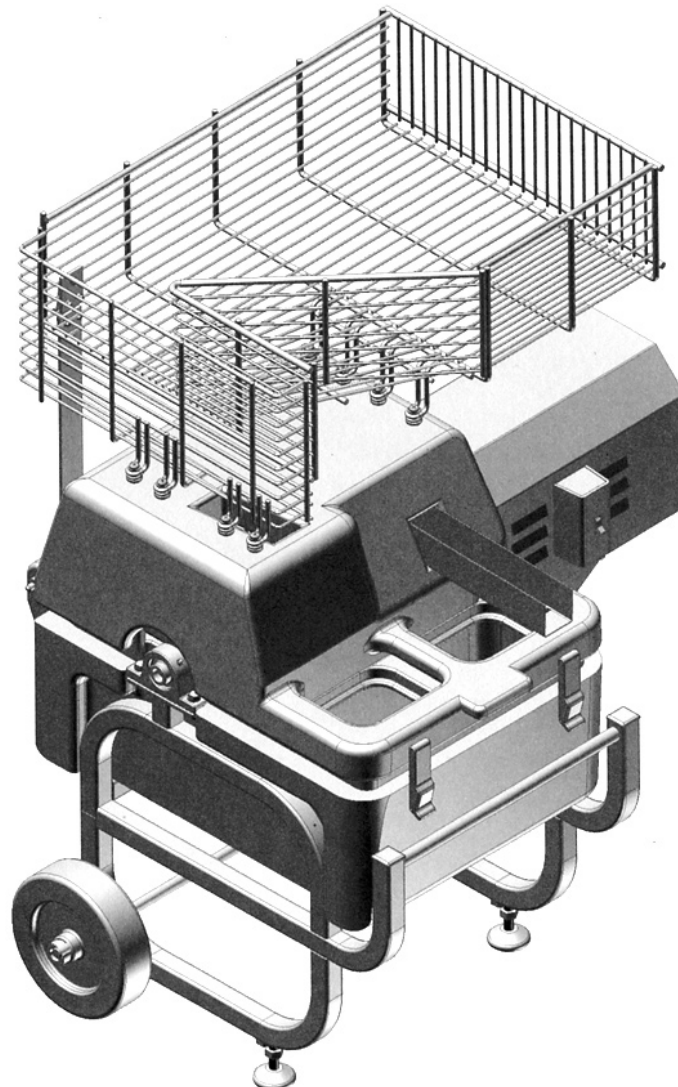




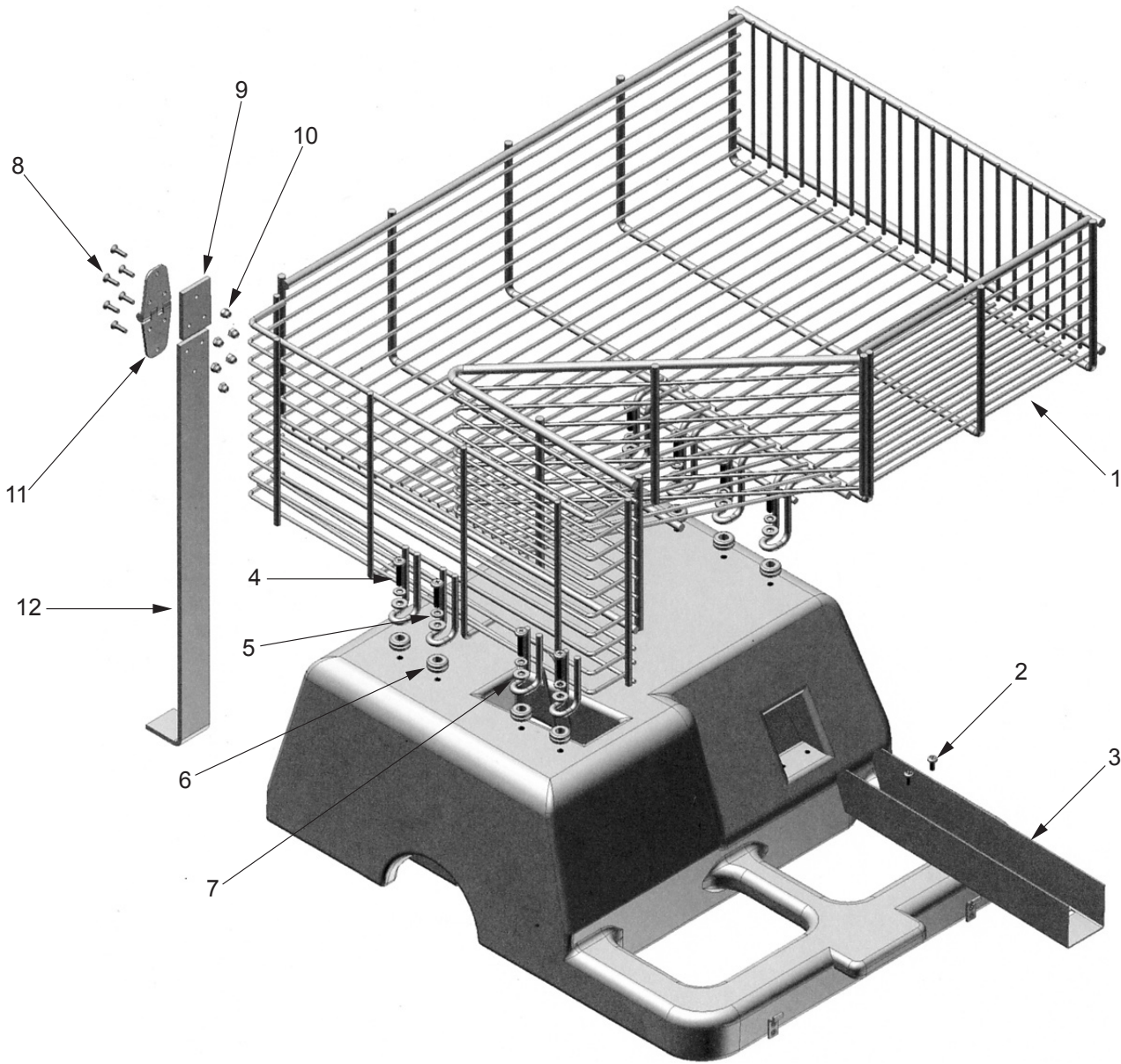
**MAINTENANCE AND PARTS MANUAL FOR THE
EUROPEAN
SCRUB-PRO™ GOLF BALL CLEANSER**



REVISED JUNE 2007

MODEL NUMBER 87000

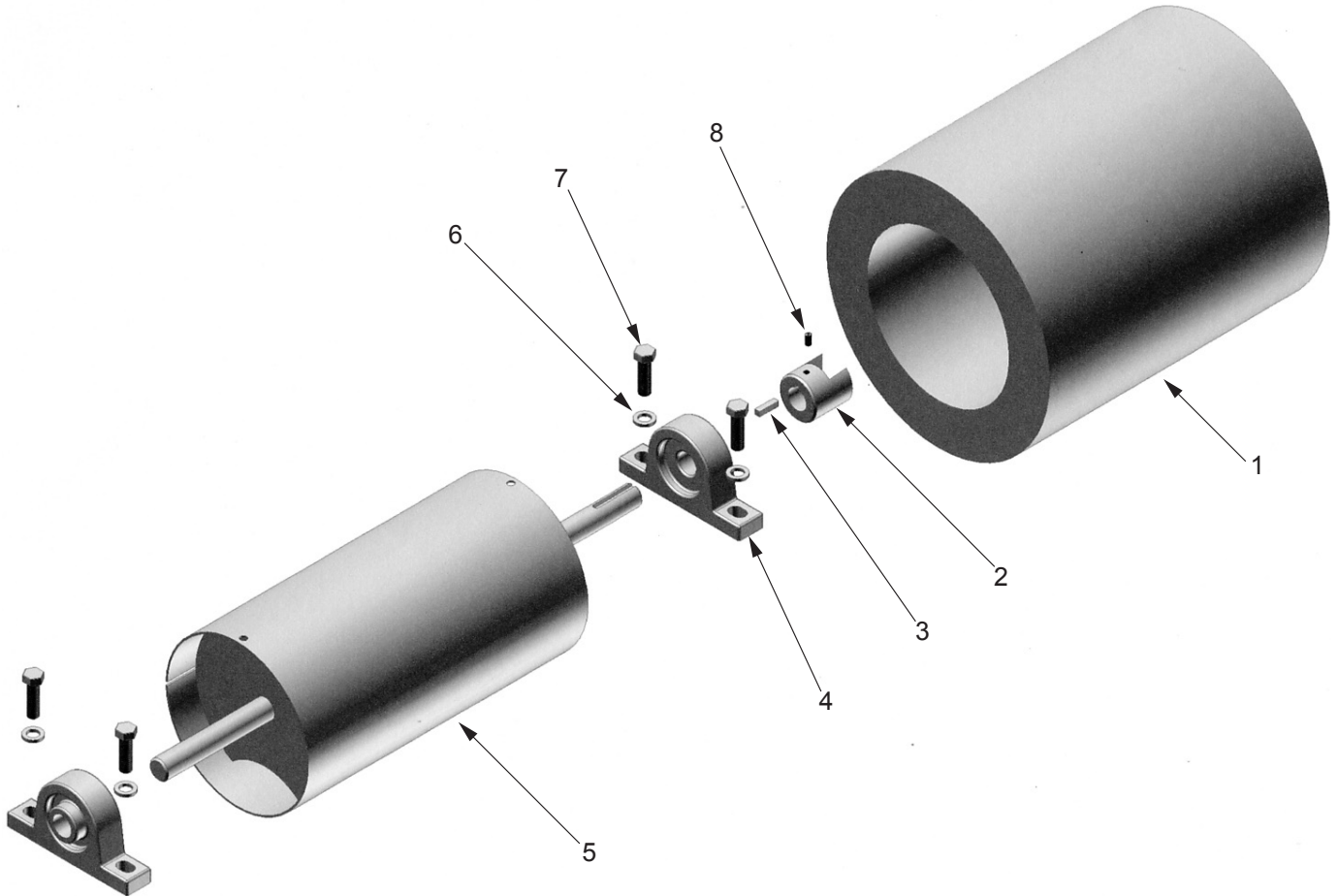
SCRUB-PRO BASKET & EXIT CHUTE ASSEMBLY



Key Number / Item Description / Quantity / Part Number

1	Basket	1	86500
2	#10-24 x .50 Pan Head Phillips (M5-0.8 x 12 mm)	2	
3	Exit Chute	1	86406
4	1/4-20 x 1.00 Pan Head Phillips (M6-1.0 x 25 mm)	8	
5	.250 Lockwasher (M6)	8	
6	Rubber Grommet	8	86501
7	.250 Flatwasher (M6)	8	
8	#8-32 x .62 Flat Head Machine Screw (M4-0.7 x 16 mm)	6	
9	Kick Stand Backing	1	86708
10	#8-32 Acorn Nut (M4-0.7)	6	
11	Black Delrin Strap Hinge	1	13-01125
12	Kick Stand	1	86707

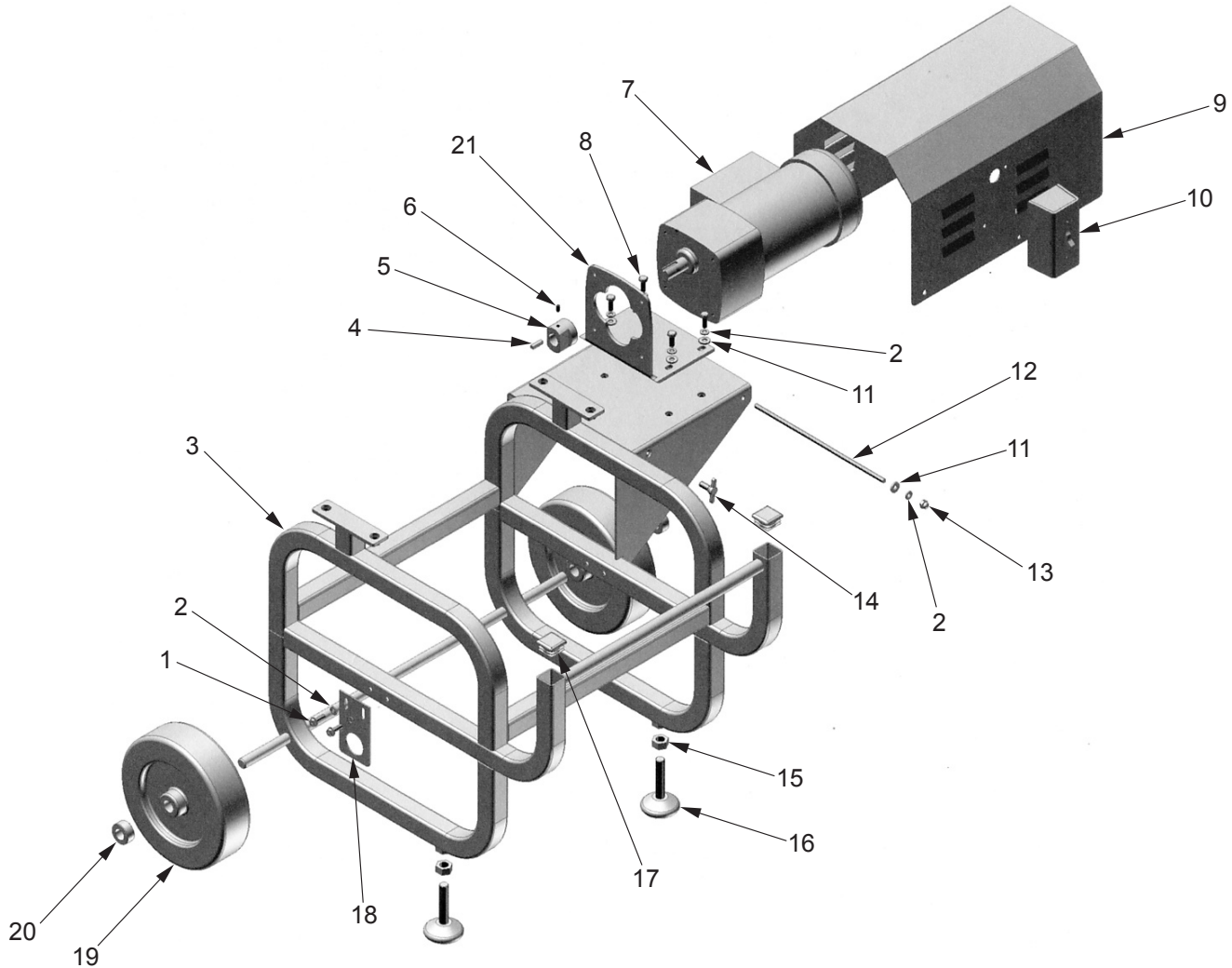
SCRUB-PRO DRUM & PILLOW BLOCK ASSEMBLY



Key Number / Item Description / Quantity / Part Number

1	Coiled Brush	1	86850
2	Coupler Set	1	86703
3	.1875 SQ. x .75 Key Stock	1	
4	Pillow Block	2	83116
5	Drum Weldment	1	86200
6	.375 Lockwasher (M10)	4	
7	3/8-16 x 1.25 Hex Head Bolt (M10-1.50 x 30 mm)	4	
8	#10-32 x .38 Hex Socket Setscrew FP (M5-0.8 x 10 mm)	1	

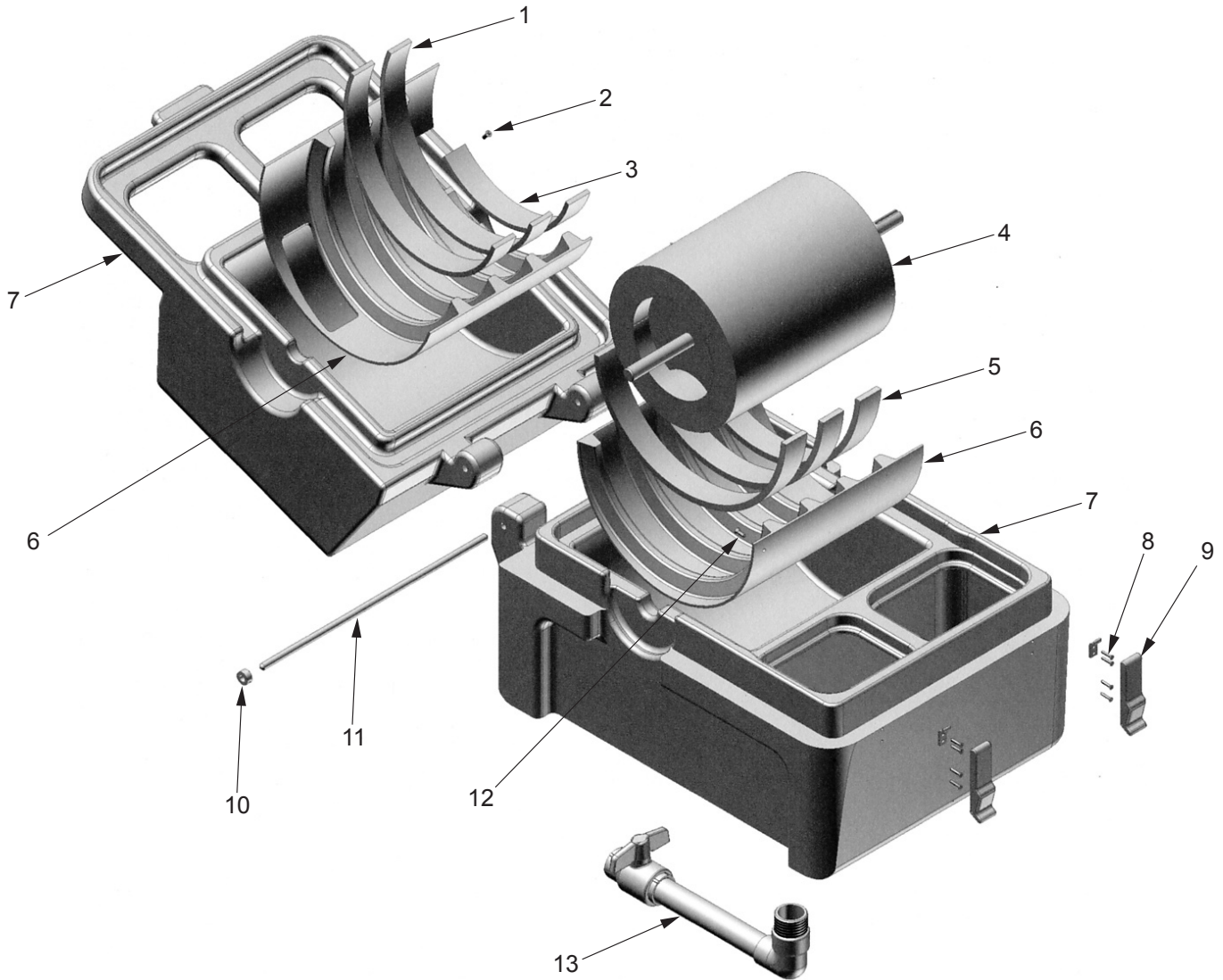
SCRUB-PRO / EUROPEAN MAIN FRAME & MOTOR ASSEMBLY



Key Number / Item Description / Quantity / Part Number

1	1/4-20 x .75 Hex Washer Head Cutting Screw	2	
2	.250 Lockwasher	8	
3	Main Frame	1	87100
4	.1875 SQ. x .75 Key Stock	1	
5	Coupler Set	1	86703
6	#10-32 x .38 Hex Socket Setscrew FP	1	
7	230v Motor & Power Cord	1	87600
8	1/4-20 x .75 Hex Head Bolt	4	
9	Motor Hood Weldment	1	87300
10	Electrical Switch & Box	1	86601
11	.250 Flatwasher	6	
12	1/4-20 Threaded Rod	1	86702
13	1/4-20 Acorn Nut	2	
14	Plastic Head Thumb Screw	1	86700
15	1/2-13 Hex Nut	2	
16	Leveling Feet	2	86701
17	End Cap	2	83120
18	Drain Holder	1	86704
19	Wheel	2	86705
20	Set Screw Shaft Collar	2	86706
21	"L" Bracket	1	87601

SCRUB-PRO TUB ASSEMBLY



Key Number / Item Description / Quantity / Part Number

1	Rubber Liner (1.75 x 19.50)	2	86403
2	#10 x .63 Flat Head Phillips Sheet Metal Screw (M5-0.8 x 16 mm)	16	
3	Rubber Liner (1.75 x 12.88)	1	86402
4	Drum & Brush Assembly	1	86800
5	Rubber Liner (1.75 x 20.38)	3	86404
6	Liner/Guide Set (Plastic Guide)	1	86401
7	Tub (Top & Bottom)	1	86400
8	#6 x .75 Flat head Phillips Sheet Metal Screw (M3-0.5 x 20 mm)	8	
9	Rubber Latch	2	86405
10	.375 Dia. Set Screw Shaft Collar	4	86408
11	Pivot Rod	1	86407
12	#10 x .50 Flat head Phillips Machine Screw (M5-0.8 x 12 mm)	6	
13	PVC Drain Assembly	1	86900

SCRUB-PRO ELECTRICAL DIAGRAM

