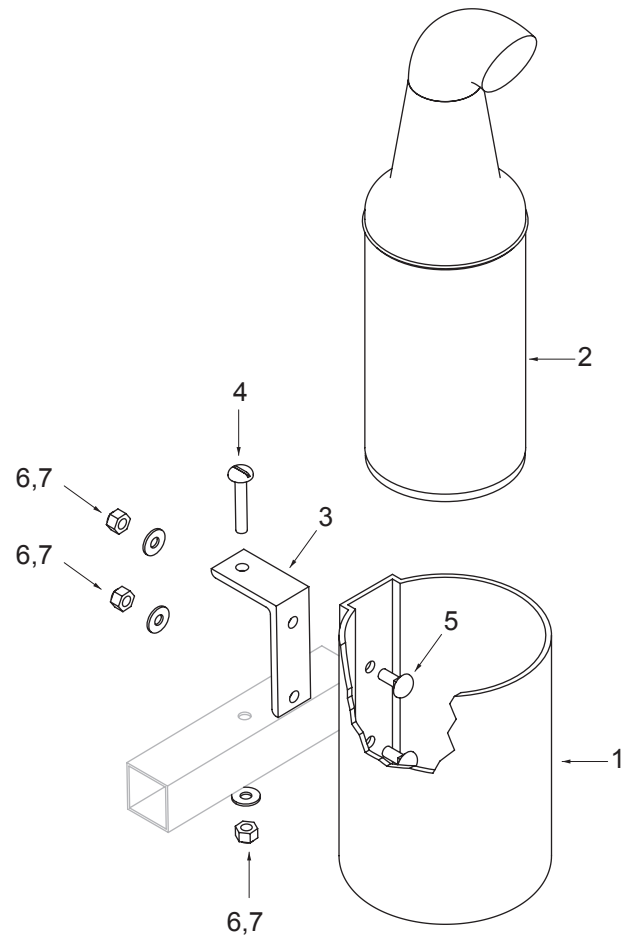


Vertical Surface Mount



Horizontal Surface Mount

Key Number/Item Description/Quantity/Part Number

1	Cart Caddie Holder	1	18951
2	Cart Caddie Bottle With Lid	1	18952
	Lid Only	1	18954
	Cart Caddie Hardware	1	18953
3	Horizontal Mount Bracket	1	
4	1/4-20 X 1-1/2" Machine Screw	2	
5	1/4-20 X 1/2" Carriage Bolt	2	
6	1/4" Flat Washer	3	
7	1/4-20 Nylon Lock Nut	3	